

# ALWAYS GAME ALWAYS PILOTE

**PILOTE**

## COLLECTION 2021

Manuel d'utilisation

User Manual

Benutzerhandbuch

Manual de Instrucciones

Guida per l'utente

Bruksanvisning



## CONTENTS

### 1. WELCOME

1.1	Welcome aboard! .....	56
1.2	How to use this manual.....	56
1.3	Legal Information .....	57
1.3.1	Regulations .....	57
1.3.2	Warranty.....	57
1.4	Campervan manners.....	58
1.4.1	General principles .....	58
1.4.2	Parking .....	58
1.4.3	Waste.....	58

### 2. EXPLORING YOUR CAMPERVAN

2.1	Base vehicle .....	59
2.1.1	Chassis .....	59
2.1.2	Tyres.....	59
2.1.3	Accessories .....	59
2.2	Living area .....	60
2.2.1	Hatches, openings and valves .....	60
2.2.2	Interior layout.....	60
2.3	Basic fluid diagrams .....	61
2.3.1	Water .....	61
2.3.2	Electricity .....	62
2.3.3	Gas .....	66
2.3.4	Ventilation and heating.....	67
2.4	Safety .....	67
2.4.1	Fire.....	67
2.4.2	Gas .....	68
2.4.3	Electricity .....	68
2.4.4	Emergency exits.....	69

### 3. PREPARING TO TRAVEL

3.1	Servicing after immobilisation .....	70
3.1.1	Fresh water .....	70
3.1.2	Refrigerator .....	70
3.2	Refuelling and levels .....	70
3.2.1	Fuel .....	70
3.2.2	Tyre pressure .....	70
3.2.3	Fresh water .....	71
3.2.4	Gas .....	71
3.2.5	Battery .....	72
3.3	Practical and emergency equipment.....	72
3.3.1	Light bulbs.....	72
3.4	Loading .....	73
3.4.1	Technical specifications .....	73
3.4.2	Calculating mass .....	74
3.4.3	Storing baggage .....	74
3.4.4	Trailer .....	75

### 4. TRAVELLING

4.1	Safety checks before departure.....	76
4.2	Settings.....	76
4.3	Driving.....	77
4.4	Authorised seats.....	77

**5. STOPPING AND PARKING**

5.1 Choosing a spot.....78  
 5.2 Safety when stationary .....78  
 5.3 Supply .....78  
 5.3.1 Turning on the water.....78  
 5.3.2 Turning on the gas .....78  
 5.3.3 230V electricity .....79  
 5.4 Draining .....79  
 5.4.1 Wastewater .....79  
 5.4.2 Toilet .....79  
 5.5 Insulation.....80  
 5.6 Locking .....80

**6. USING THE EQUIPMENT**

6.1 Windows and doors .....81  
 6.1.1 Windows.....81  
 6.1.2 Skylight.....83  
 6.2 Kitchen.....84  
 6.2.1 Sink.....84  
 6.2.2 Gas-powered appliances.....84  
 6.3 Table.....87  
 6.3.1 Table mounted to vehicle sidewall.....87  
 6.3.2 Fixed-leg central table .....88  
 6.4 Beds.....88  
 6.5 Television.....89  
 6.6 Car radio and GPS (option) .....89  
 6.7 Bathroom .....90  
 6.7.1 Shower and washbasin.....90  
 6.7.2 Toilet.....90  
 6.8 Bike rack (option).....90  
 6.9 Installing the awning (option) .....90  
 6.10 Outside shower (option) .....90

**7. MAINTENANCE AND WINTERISATION**

7.1 Gas systems .....91  
 7.2 Interior maintenance .....91  
 7.2.1 Cab.....91  
 7.2.2 Furniture .....91  
 7.2.3 Cushions and mattresses.....92  
 7.2.4 Cleaning windows .....92  
 7.2.5 Bathroom equipment.....92  
 7.2.6 Cooking appliances.....92  
 7.2.7 Refrigerator .....92  
 7.2.8 Water heater.....92  
 7.2.9 Control panel .....92  
 7.2.10 Cleaning the pop-up roof.....93  
 7.3 Cleaning the exterior .....93  
 7.3.1 Washing the bodywork.....93  
 7.3.2 Tar.....93  
 7.3.3 Small scratches.....94  
 7.4 Winterisation or long stops .....94  
 7.4.1 Batteries.....94  
 7.4.2 Water .....95  
 7.4.3 Turning off the refrigerator .....96  
 7.4.4 Ventilation system.....96  
 7.4.5 Cushions, mattresses, curtains.....97  
 7.4.6 Repairs.....97

**8. CONTROL PANEL**

8.1 Home page .....98  
 8.2 Settings page .....99

## TYPICAL CAMPERVAN LAYOUT

The pictograms and different areas shown on this basic diagram do not necessarily reflect the layout of your campervan.



Baggage compartment



230V connection



Water heater drain



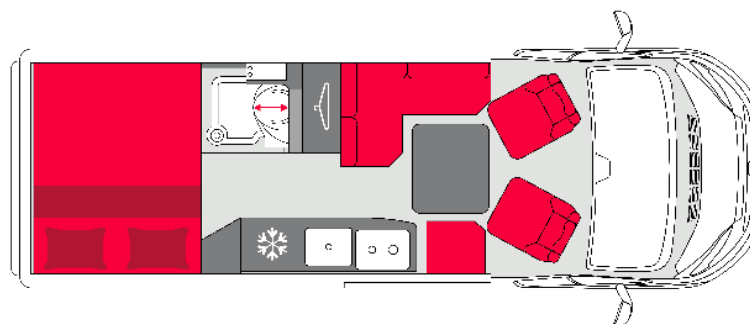
Fresh water inlet



Fuel filler cap



Garage space



Wastewater drain



Cassette toilet



Control panels



Leisure battery



Fire extinguisher  
(depending on country)



Gas bottle cupboard

Despite being the exclusive property of Groupe Pilote the photographs and illustrations published here are not contractual. Pilote Group reserves the right to modify, add or remove components or technical characteristics at any time, without notice, for the sole purpose of improving the quality of its products. Despite the care taken in preparing it, this catalogue is not a contractual document.

## 1. WELCOME

### 1.1 Welcome aboard!

Thank you for choosing to buy a Pilote.

It is very important to read this user manual carefully, as well as the instructions provided with all the fittings: refrigerator, water heater, heater, oven, etc.

To ensure greater comfort and to prevent excessive depreciation of your campervan, use it correctly.

Our Pilote network and Pilote customer relations department are always available to help.

Any infringement, translation or copy of all or part of this document is strictly forbidden. Any full or partial copy requires our prior written permission.

Enjoy travelling in your campervan Pilote

### 1.2 How to use this manual

Always keep the user manual to hand in the campervan and inform the other users of the safety instructions. This document contains some important remarks concerning personal safety. Please read it carefully. You will find below the meaning of the various pictograms used in this document.



#### **Warning, risk of injury**

If you ignore this, you may place other people in danger.



#### **Warning, risk of property damage**

If you ignore this, you may damage the appliance(s) concerned.



#### **Additional information**

These provide further information or draw your attention to useful details.



#### **Protecting the environment**

Certain actions and behaviours may cause damage to the environment.



#### **Cold weather use**

Beware of hazards caused by cold weather.



#### **Warranty limitation**

Warning, you may limit or void the warranty if you do not heed these recommendations.

## 1.3 Legal Information

### 1.3.1 Regulations

The vehicle must be registered according to regulations. There are no specific regulations that apply to the use of a campervan. Campervans are both vehicles and a form of accommodation that are subject to the following codes, depending on the country:

- the highway code when driving the vehicle
- local legislation and the highway code when parking on public roads
- urban land use code when parking on private property

### 1.3.2 Warranty

- The dealership warranty is for 24 months from the campervan's in-service date. The date is specifically mentioned by the dealer in the box reserved for that purpose on the warranty certificate.
- The warranty only applies to the living area and any modifications made by GP SAS to the base vehicle chassis; the chassis is covered by the automotive manufacturer's warranty.
- The warranty should, as far as possible, be redeemed by the dealership where the vehicle was purchased, both for the living area itself and for any defective parts that may be replaced separately.
- The campervan shall be made available to the dealer for any exchange or repair. No refund shall be made for the cost of transport to and from the dealer (both for the campervan and the people) or other related expenses incurred directly or indirectly.
- If household appliances are covered by their own manufacturer's warranty (fridge, heating system, etc.), contact your nearest brand representative (see list of representatives provided with the appliance) or, failing this, your Pilote dealer.
- You must fill out the warranty documents for appliances when provided and return them to the various manufacturers.

The warranty will not apply in the following cases:

- The buyer has not complied with the instructions for use
- The campervan has been modified by a non-approved person or by installing non-original parts
- The damage or the defect is due to failure to observe the Highway Code
- The damage results from improper or negligent use
- Normal wear and tear
- The campervan was repaired in a workshop not approved by GP SAS or without its prior written agreement
- The campervan has been transformed or equipped with accessories not fitted by the manufacturer and which are liable to affect key vehicle characteristics

## 1.4 Campervan manners

### 1.4.1 General principles

Good campervan owners are discreet and should be careful not to leave any trace of their stay. Good manners, respect for others and protecting the environment are values that everyone, including campervan owners, should abide by. The use of a campervan as accommodation involves respecting the rules with regard to the inhabitants of those places visited.

### 1.4.2 Parking

In town centres or urban areas, it is advisable to park in areas that are not densely populated, that do not impair visibility or prevent businesses from operating, and where the size of the campervan will not obstruct traffic. Likewise, campervans should be used as accommodation in these areas:

- without spreading to the area around the vehicle
- without causing inconvenience to residents
- without monopolising the public area
- pets to run riot, foul or otherwise disturb the neighbours

### 1.4.3 Waste

Wastewater emptying must take place:

- In appropriate places and never near to housing, rivers, streams or crops
- The emptying of "black" waste (lavatory) into the rain water drainage network is strictly prohibited.

All water drainage valves must be closed whilst travelling. Even fresh water should be emptied discretely, to avoid arousing suspicion. It is always worth checking the facilities in each location for properly disposing of wastewater. Household rubbish must be placed in plastic bags and disposed of in designated places.



**Wastewater must be drained off in appropriate places, never near housing, rivers, streams or crops.**

By observing all of these common-sense rules, everyone may fully enjoy the multitude of pleasures provided by their passion for campervans.

## 2. EXPLORING YOUR CAMPERVAN

### 2.1 Base vehicle

#### 2.1.1 Chassis

Your dealer should give you the user manual and the chassis maintenance book published by the automotive manufacturer when your campervan is delivered. We recommend that you take note of the contents and follow the instructions relating to chassis.



**Wheel alignment must be checked at 1,500 km (900 miles). An additional inspection is also strongly recommended at 20,000 km (12,000 miles). Such inspections are at your expense.**

The chassis number stamp is located on the front right wheel-housing.



*The chassis number stamp is located on the front right wheel-housing.*



#### 2.1.2 Tyres

(See "Tyre pressure", page 70.)

#### 2.1.3 Accessories

Motorbike racks and coupling systems must be approved and fitted with the appropriate electrical circuit.



**Accessories reduce the load capacity of the campervan and affect how the vehicle handles. The driver should adapt their driving or even reduce speed in some countries.**



## 2.2 Living area

### 2.2.1 Hatches, openings and valves

Your campervan has several types of openings on the outside:

#### Doors and windows

- Cab entrance door(s)
- Living area entrance door
- Side window(s)
- Skylights (translucent)
- Storage compartment access doors
- Cassette toilet compartment door for draining

#### Hatches

- Fuel
- Fresh water inlet

#### Drainage valves

- Draining the fresh water tank
- Draining the water heater
- Wastewater disposal

#### Ventilation systems

- Foul air grilles and/or ventilation shafts (for cooking appliances, refrigerator, heating system, etc. depending on the model)
- Devices built into the skylights and floor of the vehicle

### 2.2.2 Interior layout

Your campervan is made up of four equipment zones for your comfort and safety. The layouts differ according to the models and the options delivered.

- Driving: seats fitted with safety belts
- Meals: table, seats, sink, cooking appliances, refrigerator
- Bathroom: washbasin, shower, toilet
- Living room: TV fixture, cupboards

## 2.3 Basic fluid diagrams



**DO NOT PIERCE THE CAMPERVAN FLOOR.**

**Gas and water supply pipes are built into the floor.**

**Never carry out any modifications unless performed by approved fitters.**

### 2.3.1 Water

#### Supply diagram



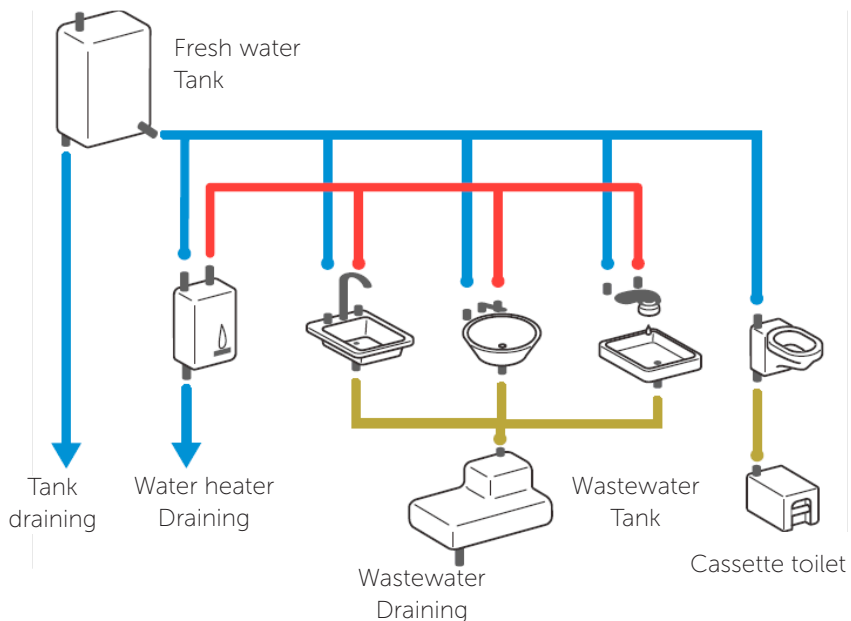
Fresh water

Filling is done via a filler flap fitted with a locking cap and identified by a pictogram. The tank is located in the chest in the storage area. A door or hatch, depending on the model, provides easy access for draining and cleaning the tank.



Wastewater

Wastewater is collected in a tank under the vehicle. The tank is emptied using a drainage valve located under the sliding door.



## 2.3.2 Electricity

### Supply diagram

The power supply is made up of a 230V AC part and a 12V DC part.

#### 230V supply

Connecting to the mains supply allows you to:

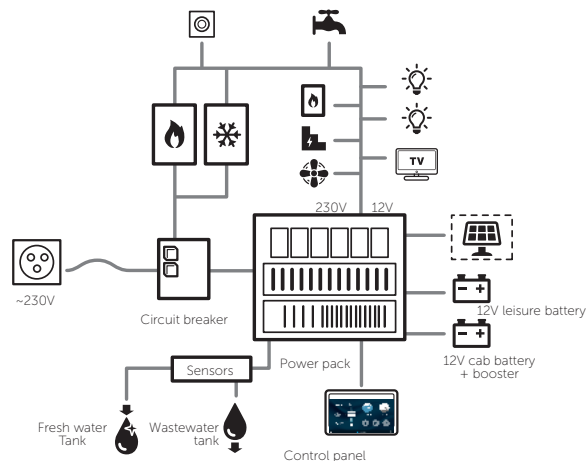
- recharge the leisure battery
- use power outlets
- run the refrigerator on 230V
- run the heating system if your vehicle is fitted with a 230V heating system

#### 12V supply

The campervan's 12V supply comes from two batteries:

The engine battery and the leisure battery. The engine battery powers all electrical equipment in the vehicle section. The leisure battery powers the electrical appliances in the living quarters. It is located under the passenger seat. This battery is of the "semi-stationary" type. Under no circumstances may it be replaced by a vehicle start-up battery. For any replacement, please contact your dealer. The two batteries are separated by a coupling device which charges using the alternator or recharges using the automatic battery charger (230V supply). The charger for the power pack provides an additional charge to the engine battery to offset low consumption when running a car radio, for example.

Under no circumstances will this operation completely recharge a depleted battery.



**Never carry out or allow modifications to electrical appliances or systems, unless performed by approved fitters. A cable reel must be completely unwound to prevent the electric power supply cable from overheating.**



**Incorrect assembly of the electrical and electronic accessories may seriously damage the campervan and void the warranty.**

### *Solar panel*

A solar panel may be plugged into the power pack's connector (option). The installation of a solar panel as part of a second assembly must be performed by a certified professional.



**Solar panels often do not provide adequate additional charge when several electric appliances are used simultaneously at night.**

A feeder cable is available behind the service hatch in the living room's overhead unit.

### *Generator set*

When using a generator set, please carry out the following steps in the right order:

- First start the generator set
- Connect the 230V cable to the campervan



**Any generator set connected to the campervan's 230V system must be perfectly calibrated (risk of damage to the internal charger).**

### The circuit elements

#### *Power pack*

The power pack includes a charger, a transformer (complete 12V distribution), and a fuse (circuit protection). On all models, it is located in the lounge area.

#### *Circuit breaker*

The circuit breaker is next to the power pack.

#### *Sensors*

The sensors measure the fresh water and wastewater tank levels.



**The current consumed should not exceed 90% of the nominal value of the fuse on the electrical unit.**

### Xperience control screen

Xperience is the vehicle's control screen. It enables you to control electrical functions in the campervan's living area and to display the following:

- leisure battery levels
- water tank levels
- outdoor temperature
- current electricity consumption
- energy source indicator

It is located in the entrance to the living area. See chapter 8 on how to operate Xperience.

### Technical provisions

The campervan's electrical system must comply with required standards. Any interference with or modifications made to electrical systems may affect personal and vehicle safety and is therefore prohibited. It is formally prohibited to carry out modifications to the control panel. Only qualified technicians are allowed to work on the electrical connections, as specified in the manufacturer's assembly manual.

### Operating voltage

The rated voltage is 12V.

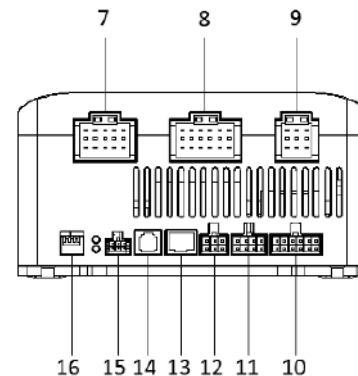
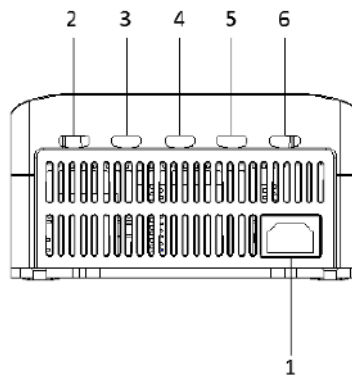


## Electrical unit - Fuses

Fuse No.	Rating	Purpose
F2	5A	Awning light
F3	7.5A	Pump
F4	10A	Auxiliaries
F5	10A	Oven
F6	10A	Lighting 1
F7	10A	Lighting 2
F9	10A	Bedroom USB port
F10	10A	Kitchen USB port
F11	15A	12V kitchen power outlet
F12	10A	Satellite dish
F13	5A	Car radio
F14	10A	Heating system
F15	10A	TV with demodulator
F16	25A	Electric bed
F18	20A	Permanent refrigerator
F19	20A	Step
F20	50A	Auxiliary battery
F21	50A	Engine battery
F1	25A	Water pump bypass
F8	25A	Lighting bypass
F17	25A	Electric bed bypass

## Electrical unit - Connectors

1	230V input
2	Solar panel
3	Refrigerator
4	Electric bed
5	Engine battery
6	Leisure battery
7	Living area charges
8	Living area charges
9	Living area charges
10	Chassis signal input
11	Wastewater tank
12	Fresh water tank
13	RS-485 port
14	CI-Bus port
15	CAN port (control screen)
16	Battery / booster settings



### 2.3.3 Gas

#### Supply diagram

The gas pressure regulator may be equipped with an automatic inverter, depending on the model.



**Only approved fitters are authorised to work on gas-powered appliances.**

#### System

Your campervan is fitted with a gas compartment that can hold two bottles, only one of which is connected at a time. The gas bottles should be placed in the compartment provided for this purpose. The system operates only on propane, in all countries. The operating pressure is 30 mbar.

For all connections of additional elements to your system, please consult your dealer.

- Do not change the type of regulator
- Do not use the appliances with a different service pressure
- Before the indicated expiry date, replace the flexible supply hoses (tubes) with an approved model that is identical to the original.

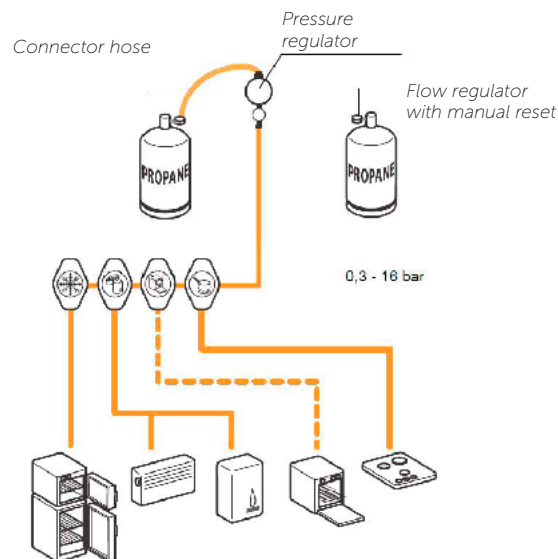


**Do not store equipment in the gas compartment.**

#### Gas system allowing heating while driving

The pressure regulator has a built-in impact detector. In case of an accident, with a strong deceleration, a mechanical protection system shuts off the gas inlet. This system complies with European regulations and allows you to use the gas heater while driving.

Apart from the heating, no other appliances are designed to be used when driving.



### 2.3.4 Ventilation and heating

Having permanent upper and lower ventilation is essential in order to ensure constant air renewal.

- Lower ventilation is generally provided through a vent at the bottom of the furniture or in the floor.
- Upper ventilation is provided through the roof windows, which have a permanent vent system.

These systems enable natural air circulation, including inside the bench seats.



**The vents should never be blocked, even during the winter. They must be kept clean and dust free. Do not store equipment in the heating compartment.**

## 2.4 Safety

Never leave children unattended in your campervan. This safety precaution is crucial in campervans due to the presence of medium and low voltage electrical appliances and gas-powered equipment.

Using the electric-window command can be dangerous. Ensure that there is no risk of passengers' limbs getting caught in the electric-windows.

### 2.4.1 Fire

Provide an approved dry powder fire extinguisher with a capacity of at least 1 kg and familiarise yourself with the instructions. Keep a fire-blanket near the kitchen area. Consult the local fire safety measures.

Do not store aerosol cans in the campervan; there is a risk that they could explode at temperatures above 50°C, which can often occur in the summer. Never use cooking or heating devices other than those installed in the campervan. If you must plug in a cooking appliance or electric heater, it must work on the principle of direct radiation to avoid fire and asphyxia hazards. (See "Emergency exits", page 69.)



## 2.4.2 Gas

### Gas leak

If you notice the smell of gas, do not turn on lights, hand torches, lighters, matches, or any electrical item (e.g. switch), until the smell disappears.

You should immediately:

1. Shut off the gas bottles
2. Ventilate by opening all windows and doors

## 2.4.3 Electricity

Any modifications or repairs to the electrical circuit carried out in a non-compliant manner or without taking account of the technical specifications of the circuit may cause malfunctioning or a fire hazard.

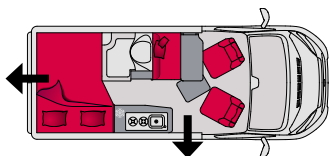
The battery is a dangerous piece of equipment and incorrect handling may trigger strong electric shocks. Do not go near the battery with naked flames, lit cigarettes, any source of sparks or aerosol cans: risk of fire or explosion.



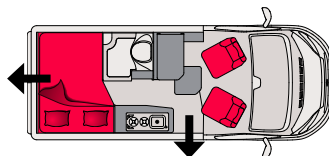
**Always wear suitable eye protection when working on the battery or nearby. Do not store equipment in the electrical compartment.**

## 2.4.4 Emergency exits

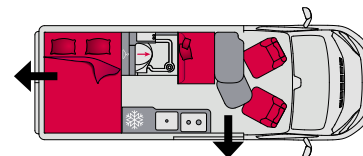
The diagrams below show the emergency exits in your campervan, in accordance with the applicable regulations.



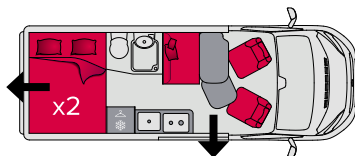
**540G**



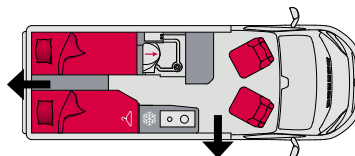
**540GD**



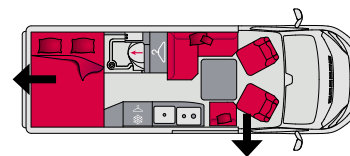
**600G**



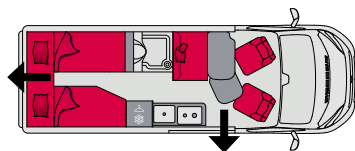
**600S**



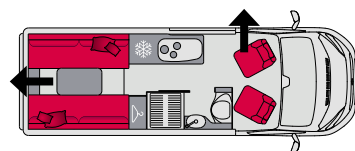
**600J**



**630G**



**630J**



**630LG**

Model only available in Great Britain.

## 3. PREPARING TO TRAVEL

### 3.1 Servicing after immobilisation

#### 3.1.1 Fresh water

Re-pressurisation after a long wintering period can lead to the water arriving in a sporadic manner. It is therefore better to purge the system while leaving the tap on. The pressure becomes constant as soon as there is no more air in the pipes.

#### 3.1.2 Refrigerator

For a gas-powered refrigerator, you must remove the external covers on the upper and lower air vents. The air vent covers should only be used in the event of very cold weather to protect the interior; in this case, all gas appliances should be switched off.

### 3.2 Refuelling and levels

#### 3.2.1 Fuel



The fuel tank is accessed by a hatch located beside the driver's door. The AdBlue tank cap is located in the same place. Consult the user manual of the chassis manufacturer for the specifications. Before refuelling, turn off the gas appliances and close the gas bottle taps.



**When refuelling, it is strictly prohibited to use gas appliances, including heating, which may however be used when driving.**

#### 3.2.2 Tyre pressure

To drive in complete safety, check the tyre pressure every 15 days and before any long trip.

Check the pressure when cold. Never reduce tyre pressure when tyres are hot, otherwise the pressure will be too low once the tyres cool down. Tyre pressure should be adjusted according to the vehicle's load.

Cold tyre pressure recommended by manufacturer

See the base vehicle's manual for tyre pressure information.



**Under-inflating tyres reduces their service life and compromises your safety: risk of blowout, increase in braking distances and loss of grip.**

Consult the vehicle manufacturer's manual for correct pressures. This information is usually displayed on a plate in the door or fuel hatch.

### 3.2.3 Fresh water



You can find water supplies in service stations when refuelling. An increasing number of service points are being set up by local authorities; use them for both filling up with fresh water and emptying your wastewater. Filling up is done using an external nozzle fitted with a lockable cap, identified by a pictogram.

### 3.2.4 Gas

Starting and stopping the system

Refer to the manufacturer's manual to start and stop the gas system.

Changing the empty bottle

Refer to the manufacturer's manual for how to change an empty bottle. Bottles must be securely strapped in place before closing the compartment. Gas bottle connectors differ from one country to another. Make sure that the bottle is compatible with your rubber gas pipe before replacing the bottle when abroad.



**Residual gas: no smoking or naked flames.**

### 3.2.5 Battery

Before setting out on a trip, particularly after a long period of inactivity, check the charge on the two batteries. To recharge the battery, connect the vehicle to the 230V mains supply for 24 hours, having previously checked that the F10 leisure battery protection fuse is installed. Completely flat batteries are less efficient (they discharge more quickly).



**The battery must not be in contact with any metal object. The battery housing under the passenger seat must be kept closed at all times and must only contain the battery.**

#### How to recharge

To recharge the battery, connect the vehicle to the 230V mains supply for 24 hours. Winterisation or storage for over 15 days

- Turn off the main 12V switch located in the entrance.
- Switch off all appliances and lights.
- Disconnect the battery terminals for stops over 30 days.

Follow the user manual instructions for the electrical unit corresponding to other immobilisation measures. If the vehicle remains immobilised for a long period in severe cold, remove the batteries and keep them at a moderate temperature.

## 3.3 Practical and emergency equipment

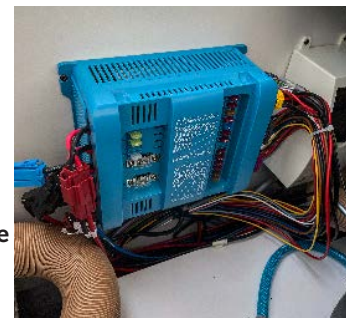
You must have reflective vests as well as an emergency warning triangle (important: the legislation differs from country to country, so check before travelling). Pack minimum items, such as a map, first-aid kit, toolbox, spare bulbs and fuses, water-tank filling pipe, 230V extension lead.



**Make sure there are snow tools in the campervan (spade, broom, etc.) to clear the entrance step, roof, windows and around the vehicle.**

### 3.3.1 Light bulbs

For all vehicle running lights, consult the FIAT user manual.



## 3.4 Loading

### 3.4.1 Technical specifications

Your campervan was designed and approved in accordance with strict technical specifications that should be observed, such as:

- the maximum authorised mass (vehicle only)
- the maximum towable mass (for the trailer)
- the gross train weight (vehicle + trailer)
- the maximum loads allowed on each of the axles
- the mass in running order (See "Note", page 75.)

These are stated on your certificate of compliance. Some specifications are also on the vehicle registration certificate:

- Box F1: maximum authorised mass
- Box F3: maximum gross vehicle mass
- Box G: mass in running order

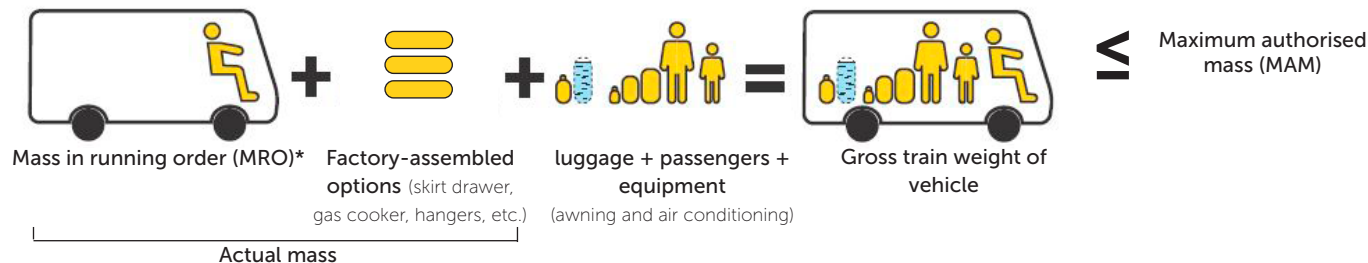


Registration plate (situated in the engine compartment) indicates:

- the maximum technically permissible laden mass (MTPLM) of the vehicle
- the gross train weight
- the maximum load on each axle (1, 2 or 3)

### 3.4.2 Calculating mass

Calculate your load by taking into account all elements including passengers, luggage, equipment, optional extras, and full tanks of fuel, fresh water and gas. This should be evenly distributed throughout the different storage areas of your vehicle.



\* MRO (mass in running order) is the vehicle's mass (weight) with the fuel tank filled to 90%, 20 litres of fresh water, one gas bottle filled to 90%, the driver (75 kg) and the standard vehicle fittings.

Caution: installing heavy optional equipment (additional water tank, 230V air conditioning + generator, motorcycle carrier, etc.) will affect your load. Failure to follow these instructions may impact campervan safety conditions, particularly road holding.

### 3.4.3 Storing baggage

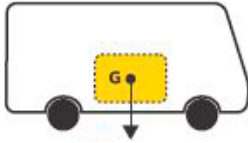
To avoid having excess baggage, draw up lists for crockery, clothing and personal objects. We advise you to keep them in a specific place, well wedged into the many storage compartments intended for the purpose, so as to be able to find them easily. Make good use of the purpose-built storage compartments such as the furniture and lockers.



**Failure to respect these instructions may lead to dangerous situations in case of sudden braking or collision.**

## Load distribution

To preserve the roadholding of your campervan, the centre of gravity of the load must be as low as possible. This will reduce any undesirable suspension effects, such as rolling, pitching, etc. Heavy loads must be tied down or wedged in to avoid any ill-timed movement. If possible they should be placed close to the campervan floor and distributed evenly so as not to exceed the maximum permissible loads.



### 3.4.4 Trailer



The trailer weight must be less than or equal to:

- your campervan's maximum tow weight
- the maximum authorised mass for your coupling.

The latter is calculated based on the value D (in kN) indicated on the coupling, using the following formula:

$$MR = (D \times T) \div [(9.8 \times T) - D]$$

Where T = maximum authorised mass of your vehicle (in tonnes). For example, if T = 3.5t and D = 12.5kN, then MR = 2t.



Note: Pilote Group is committed to delivering vans whose MRO sits within the 5% tolerance threshold of that set during the certification process. This 5% value was set by European regulations in order to take into account potential variations in campervan weights due to manufacturing variables, both for the base vehicle and living area; for example, the external canvas' average thickness or the humidity rate of porous components may vary.



## 4. TRAVELLING

### 4.1 Safety checks before departure

Before taking to the road, systematically check that all signalling devices (indicators, main-beam, dipped, warning headlights, horn, etc.) are functioning correctly. Your campervan is always ready to take the road. There are no other specific road preparations to be made. However, some precautions are necessary to avoid incidents.

- Check that all taps and valves are closed
- Lock the refrigerator door
- Close the doors to the wardrobe and bathroom
- Close the side windows
- Close the skylights
- Lock the cupboards
- Close all drawers
- Lock all cupboard doors
- Lock the toilet sliding door
- Do not leave items on the tables or kitchen workbench
- Check that all the functions on the control panel are off
- Pull up the entrance step (electric or manual locking depending on the model)
- Close the living area door
- Disconnect the exterior 230V power cable
- Switch the refrigerator to 12V (only functions when the engine is running)
- Close and lock the pop-up roof if you have one.



**Close gas bottles and gas-powered appliances before leaving, except for vehicles equipped with the gas system allowing the heater to be used while driving.**

### 4.2 Settings

- Check the adjustment of seats, safety belts and head rests
- Adjust the wing mirrors to your field of vision

## 4.3 Driving

A campervan is much bulkier than a car.

Before first use, familiarise yourself with driving the vehicle, particularly in reverse. Be very careful when going downhill, overtaking or if there are side winds. On the road, always bear in mind the dimensions of your vehicle.

### Height

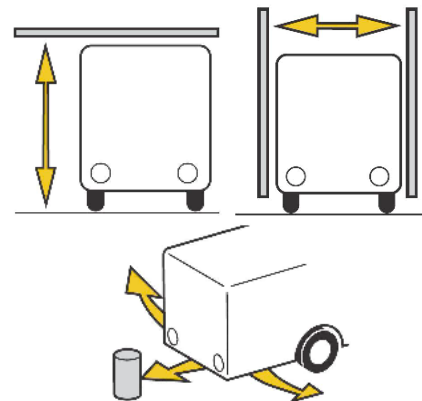
Be careful with bridges, tunnels, car parks, overhead branches, service station canopies, etc.

### Width

Avoid entering narrow passageways or areas involving complicated extraction manoeuvres. If need be, perform an initial reconnaissance of the site.

### Difficult situations

When manoeuvring, do not hesitate to ask for assistance from someone outside the vehicle.



## 4.4 Authorised seats

### Authorised seats while driving

Only the seats in the living area marked with the sticker shown opposite are authorised when driving, with the seat belt fastened. Only seats facing the road or back to the road are authorised during driving, depending on the models. In some lounge configurations, you must remove the cushions and adjust furniture elements (see the dinette sleeping area).



## 5. STOPPING AND PARKING

### 5.1 Choosing a spot

Choosing flat ground will enhance your comfort inside the vehicle. If necessary, use chocks to level out your vehicle.

### 5.2 Safety when stationary

- Put the handbrake on
- Deploy the step if you are using the living area
- If you have to leave the vehicle for a while, close the sunroof and the skylights
- Turn off the power supply to the water pump on the control panel
- Turn off the 12V switch on the control panel to avoid discharging the battery unnecessarily

**i** It may be useful to use chocks to level out the vehicle.

### 5.3 Supply

#### 5.3.1 Turning on the water

A switch on the control panel activates the water supply pressure. The pump works automatically whenever the sink or washbasin tap is open (drawdown). While in use, the pump automatically sends water from the tank to fill the hot water tank and the water heater.

#### 5.3.2 Turning on the gas

Open the feed valves on the appliances located in the kitchen. If using the heating system when in motion, the heating system/water heater valve must remain open.



1 • Heating/water heater 2 • Refrigerator 3 • Stove



**Using gas-powered appliances in garages, enclosed car parks or on ferries is prohibited.**

### 5.3.3 230V electricity



Connection to the mains is by means of a cable that can be plugged into the campervan exterior in the blue socket. This socket includes a mandatory "earth" connection. Plug in the mains cable then activate the circuit breaker located next to the power pack, to provide power to the living area. To avoid damaging your charger, ensure that the supply provides 230V +/-10%.



**Connect the motorhome to a 230V outlet as often as possible to prolong the life of the leisure battery.**

[Stops from one week to one month](#)

Turn the control panel switch to the stop position.



**Any generator set connected to the campervan's 230V system must be perfectly calibrated (risk of damage to the internal charger).**

## 5.4 Draining



Motorway car parks, service stations and municipal rest areas often provide terminals for draining wastewater. Do not leave draining to the last moment.

### 5.4.1 Wastewater



To drain it, activate the drain valve handle located under the sliding door. The valve area is marked by a pictogram. Wastewater must be drained off in appropriate places, never near housing, rivers, streams or crops. The tanks should be regularly cleaned to prevent bad smells.

### 5.4.2 Toilet

To drain the cassette toilet, fully open the hatch under the vehicle's side in order to trigger the magnet and facilitate the operation. No operation is required for 540G and 600S. For 600G, 630G and 630J, take the toilet out of its compartment to access the cassette. For the 600J, the toilet must be stored in its compartment. To empty the cassette, consult the manufacturer's instructions.

## 5.5 Insulation

In summer, use the insulating panels or screens to prevent the temperature rising in the campervan. Use appropriate equipment to firmly attach your screen to the ground.

## 5.6 Locking

When you leave the campervan, systematically lock all doors and hatches and close all windows, including the skylight. Bring in your screens and satellite dish to prevent any damage in case of wind.

## 6. USING THE EQUIPMENT

It is essential to be familiar with chapters 2, 3 and 5 before you read this chapter.

### 6.1 Windows and doors

#### 6.1.1 Windows

##### Outward-opening window

*Opening the window*



1. Pull the handles up into a vertical position.
2. Push the window outwards.
3. Adjust the windows using the friction stays.

The handle can also be used to set the window in a ventilation position: bring the handle back to a horizontal position so that it lies halfway between the lock mechanism.

## Closing the window



1. Push the window out as far as possible.
2. Pull the window slowly inwards.
3. Lower the handles into a horizontal position.



**Outward-opening windows must be closed when the vehicle is in motion. Some windows have open sensors, which turn the heating off when the heating vents are near a window.**

## Combined mosquito/sun screen

### Pleated blinds.



1. Use the groove to lower the mosquito screen.

2. Using the other groove, raise the black-out blind.

3. The lower tab enables you to attach the mosquito screen to the black-out blind.

4. To disconnect them, pull on the tab to release the mosquito screen part from the blackout blind part.

## 6.1.2 Skylight

### *Special recommendations*

Make sure that there is no snow, ice or dirt on the sunroof before opening. Check that the acrylic sunroof has not been damaged by overhead branches or by toxic substances. The sunroof must be completely closed and locked before starting up the vehicle. Do not operate it when driving. Consult a specialised workshop in case of defect or malfunction.

### *Opening*

- 1 • Press the button.
- 2 • Pull the bar down.
- 3 • Select the open angle using the side notches.
- 4 • The maximum open angle is 70°.

### *Closing*

- 5 • Push the bar up until you hear a click.
- 6 • The skylight is locked.



**The sunroof must only be cleaned with alcohol-free substances. Close the roof openings in the event of rain or strong winds, and when the vehicle is moving.**



**Do not walk on the acrylic pane. Failure to comply with this recommendation will void the warranty.**

### Combined fly/sun screen

A ratcheting system allows you to combine the two screens to adjust the shade while protecting against mosquitoes and flies.

**In hot weather, never block the roof window by more than two thirds to ensure proper ventilation and protect the material from excessive heat.**





## 6.2 Kitchen

### 6.2.1 Sink

The water levels can be read on the control panel.  
The pump may work in spurts if the water pressure is too low.



**Never pour boiling water down the sink.**

### 6.2.2 Gas-powered appliances

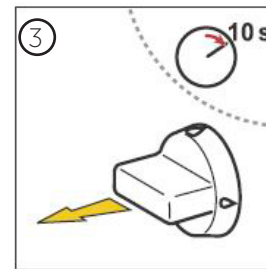
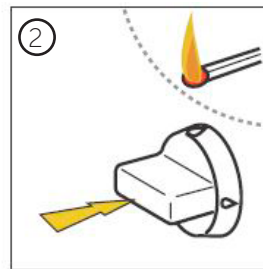
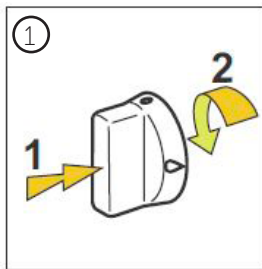
- Carefully read the instructions for gas-powered appliances.
- Never use appliances with an operating pressure that differs from that for which they were intended.
- Never obstruct the waste gas discharges from the various appliances.

#### Hob

The hob should never be used for heating purposes. Furthermore, the campervan should be sufficiently ventilated when cooking to avoid the formation of steam and condensation.

#### *Switching on*

1. Press the button while turning it slightly to the left.
2. Light with the electric ignition button if available.
3. Hold the button down for 5 to 10 seconds, then release.



**The gas-powered appliances are equipped with safety mechanisms: the gas is automatically cut off if the flame goes out. Do not fold down the glass cover while the**



**stove is on.**

#### Oven (option)

See the manufacturer's instructions for operating the oven.

## Heating/water heater

### General details

Our campervans are rated in the no. 3 heating category (according to the European standard EN 1646-1). Constant air renewal and the appropriate amount of heating provide a pleasant atmosphere inside the campervan in all seasons.

Heat the inside of the vehicle sufficiently, even in your absence, to prevent the water pipes from freezing (especially those for the toilet or used for wastewater). The inside of the campervan is airtight so condensation from the kitchen, shower or damp clothing will not evaporate naturally. It is therefore necessary to air thoroughly while heating.

**i** **Adjust the heating according to the number of people, the parking location, and the internal and external temperature and humidity levels. A Truma window contact sensor automatically turns off the heating when the living room window is open. Do not obstruct the air vents to the water pump in the storage area.**

### Heating/water heater system:

TRUMA Combi 4000W or 6000W water heater (depending on model)

Air vent



Controls



Drainage valve



### *Truma Combi heating system (with optional 230V system)*

Heating systems operating on gas or electricity (Combi EH option) diffuse heat throughout the vehicle via hot air vents.

### *Truma Combi diesel heating system (option)*

The Truma Combi diesel heating system is connected directly to the vehicle's fuel tank. In this case, the vehicle is not equipped with an LPG regulator with impact detector. You must therefore close your gas bottles when driving.

### *Safety/drain valve*

Your vehicle is equipped with an automatic safety valve, which opens as soon as there is a risk of freezing in the vehicle. Once activated, it must be manually reset.

### *Start-up*

The system must be full to get hot water. The pump must therefore be activated first on the control panel. Activate the safety valve to remove the air.



**Please read the manufacturer's manual before using for the first time.**

### *Refrigerator*

The air vent covers (optional) must be removed if the refrigerator is gas powered (see chapter 3.2).

### *Warning*

When storing food, it is important to be aware of the specific operating conditions of a refrigerator installed inside a vehicle. There are conditions under which the appliance is unable to guarantee the necessary temperature to preserve some highly perishable items, because:

- when travelling, the refrigerator uses the 12V supply
- when parked, you can choose to run the refrigerator on gas or the 230V supply
- a refrigerator may be located behind a window exposed to the sun
- the vehicle's temperature may vary a lot depending on external weather conditions
- the temperature inside a closed stationary vehicle, exposed to sunlight, may exceed 50°C/122°F
- you may need to use the refrigerator shortly after it reaches the optimum temperature.

The following are considered as highly perishable foodstuffs: all products with a use-by date combined with a storage temperature equal to or below 4°C, specifically meat, fish, poultry, cooked meats and pre-cooked dishes.

### Health recommendations

- Pack raw and cooked foods separately using aluminium foil or plastic wrap.
- Only remove the cardboard or plastic outer packaging if the useful instructions (use-by date, storage temperature, cooking instructions, etc.) are marked on the packaging directly in contact with the product.
- Do not leave refrigerated products too long out of the refrigerator.
- Place products whose use-by dates are the closest to expiring in the front.
- Place any leftovers in sealed containers and use them quickly.
- Wash your hands before touching food, between each handling of different products and before sitting down to eat.
- Clean the refrigerator regularly with soapy water. Rinse with a bleach solution.

## 6.3 Table

### 6.3.1 Table mounted to vehicle sidewall

#### Eating position

To use the extension:

- pull the black knob downwards
- rotate the extension into the desired position



#### Sleeping position (option)

To convert the table into an additional sleeping area:

- Fold the lower section of the leg
- Release the locks holding the table edge on the runner
- Reposition the table onto the lower runner
- Put the extra board in position by unfolding the three legs and positioning the detachable leg to properly support the board.
- Add the cushions.
- Put sheets on your bed. It is now ready!

To return the table to the eating position, repeat the operation in reverse order.

### 6.3.2 Fixed-leg central table

#### Eating position

The table can be adjusted in two directions

- lower the lever located under the table
- move the table to the desired position
- pull the lever back up to lock the table in place



#### Sleeping position (option)

To put the table in the sleeping position

- pull the lever located under the table
- push downwards on the table until it lowers to the level of the bench
- pull the lever in the opposite direction to lock the table in position

To return the table to the raised position, repeat the operation in reverse order



### 6.4 Beds

Pay attention to the risk of falling, especially for children. The upper bunk beds are not suitable for unattended children under 6 years old. Only use the bunk beds for sleeping purposes. Use the protective net in the vehicle to prevent falling from the upper beds.

#### Pop-up roof (option)

Only use this bed when the vehicle is stationary.

Opening the pop-up roof:

- Insert the ladder.
- Unclip the straps.
- Unhook the fasteners and attach them to the magnet.
- Push the roof up evenly to deploy it.
- Put sheets on your bed. It is now ready!

Important: Do not pinch the canvas in the fastener, as this could put a hole in it.



It is best to close the roof in a storm. As for rain, this will depend on how hard it is raining. The canvas is coated with a waterproofing agent, but it cannot withstand heavy rain with strong gusts of wind. Use your best judgement when assessing meteorological conditions.

Closing the pop-up roof:

- Remove the sheets and your belongings from the bed.
- Open a door to allow some airflow.
- Hold the handles on the top of the roof and pull down.
- Pull the canvas inside so it does not get stuck in the mechanism.
- Repeat this operation until the roof is completely folded down.
- Hook the butterfly fasteners on and clip on the straps.
- Make sure the butterfly fastener is keeping the roof fully compressed.



**The roof must be closed (with the fastener and strap) before you get back on the road.**

## 6.5 Television

A TV mounting point has been fitted. The adjustable bracket ensures it can be safely mounted. The switch in this compartment is used to shut off the 12V supply in order to avoid power consumption in standby mode. A connection (feeder yellow wire) is available to automatically fold away the satellite dish when the engine starts. Consult your dealer about installing a TV.

## 6.6 Car radio and GPS (option)

Factory fitted in-car audio systems are powered by the leisure battery. This means they can be used when at a standstill without discharging the engine battery. To use the car radio, turn on the vehicle ignition using the key or switch on the auxiliary function on the control screen (see chapter 8). Steering wheel controls are available as an option.



*Butterfly clip that locks the roof*

## 6.7 Bathroom

### 6.7.1 Shower and washbasin

Never pour boiling water down the washbasin or the shower. When the wastewater tank is too full, the overflow may back up into the shower basin. To avoid this problem, empty the tanks regularly. The bathroom's retractable basins hold a maximum load of 5 kg. Make sure you pull the shower curtain shut before leaving.

### 6.7.2 Toilet

Never pour boiling water down the toilet.

#### Using the toilet

When using the toilet, turn on the valve located at the side of the bowl. Following use, activate the flush on the tank then close the valve again. Before driving, slide the toilet into its position and lock it in place using the strap.

#### Emptying the cassette toilet

Empty the cassette toilet as often as necessary (see chapter 7).

## 6.8 Bike rack (option)

Incorrect use of your bike rack may damage your vehicle's bodywork. Before opening the rear doors, pull your bike rack's rails as far to the left as possible so that they do not knock against your vehicle. Check this before each departure and adhere to the bike rack's maximum allowable weight, as indicated in its manual.

## 6.9 Installing the awning (option)

Before installing the awning, ensure that the sliding door is closed in order to avoid pinching or ripping the canvas. Do not use the awning in strong winds.

## 6.10 Outside shower (option)

Use a cloth to prevent any water from flowing onto the unit when disconnected. Wipe away any remaining droplets.



*Handle to fold in the gusset*

## 7. MAINTENANCE AND WINTERISATION

### 7.1 Gas systems

Regularly check that the gas intake hoses in the gas cupboard are in good condition. Replace them with an approved model identical to the original, as soon as they wear out, and before the expiry date marked on the hose. Never use extensions on these hoses.



**Check the condition of the gas hoses regularly.  
Follow the instructions in the manufacturer's manual when replacing them.**

### 7.2 Interior maintenance

#### 7.2.1 Cab

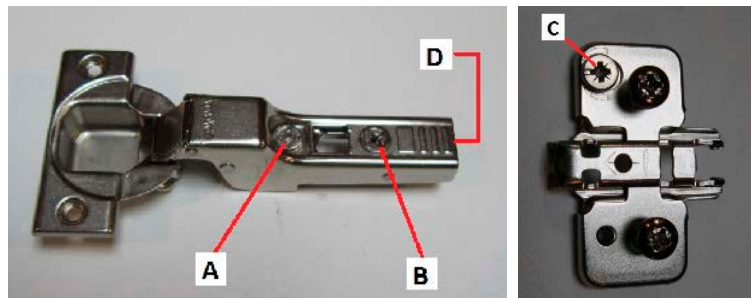
Refer to the manufacturer's user manual.

#### 7.2.2 Furniture

Use a damp cloth or mild cleaning product on furniture.

#### Metal hinges on furniture doors:

Over time, the cupboard and wardrobe doors may drop. You can adjust the hinges on these items.



A: Adjusting the contact surface to realign the doors: turn the screw clockwise to reduce the contact, or anti-clockwise to increase the contact.

B: Depth adjustment: Adjust the depth by turning the off-set screw.

C: Safety screw (remove before dismantling).

D: To take off the doors, press the unlock button.



### 7.2.3 Cushions and mattresses

Clean the cushions and mattress with a soft brush or vacuum cleaner. Cleaning foams for delicate fabrics should be used with caution. On leather or imitation leather, use only soapy water with a cloth or a sponge. We recommend dry cleaning the mattress covers.

### 7.2.4 Cleaning windows

Only use water and a soft cloth to clean windows. Clean the rubber seals with talc. Clean the blinds with soapy water only.



**Solvents or alcohol-based cleaners will immediately damage the double glazing. Only wash with clear water.**

### 7.2.5 Bathroom equipment

Do not use abrasive products.

### 7.2.6 Cooking appliances

Follow the manufacturer's instructions.

### 7.2.7 Refrigerator

Every year, have an approved specialist clean the air vents and ventilation shaft of the refrigerator with compressed air. Clean the inside of the refrigerator according to the manufacturer's instructions.

### 7.2.8 Water heater

Every year, have an approved specialist clean the air vents and ventilation shaft of the water heater with compressed air.

### 7.2.9 Control panel

The control panel requires no technical maintenance. To clean the front plate, use only a soft cloth for screens.



**Do not use solvents, ethanol or any similar substance. Prevent any liquid from entering the control panel.**

### 7.2.10 Cleaning the pop-up roof

- To service the gusset, we recommend applying a waterproofing product.
- The gusset must be aired several times a year to prevent a musty smell.
- The gusset must never be closed when damp or wet. If you have to close it when damp or wet, it must be completely dried as soon as possible.
- Before winter, the rubber seal of the roof shell must be coated with talc or a similar product to avoid it sticking to the bodywork due to frost.
- The fastening nuts and all moveable parts of the lock must be greased to preserve their pliancy.

## 7.3 Cleaning the exterior

### 7.3.1 Washing the bodywork

The bodywork of your campervan consists of different materials, each requiring specific maintenance in order to guarantee its performance over time.

**Note:** only use soft sponges and cloths. Never use abrasive pads and detergents. Avoid extensive use of a waterblaster as it can damage certain parts of the bodywork (seals, plastic parts).

PART	MATERIAL	FREQUENCY	MAINTENANCE
Windows	Acrylic	Weekly when driving	Wash with water only.
Bodywork	Painted aluminium plate		
Bumpers and lights Side protection strips Wheel housings	Thermoformed plastic (ABS)	Monthly while camping	Wash with plenty of water. Use the same products as for a car. We recommend a shampoo available from your dealer.

### 7.3.2 Tar

Only use products available from your dealer to remove tar from your windows.  
Do not use other chemical solutions.

### 7.3.3 Small scratches

For tiny scratches, you may use a liquid polish. However, this should be used with caution; check that it is not too abrasive by testing it on a small surface, depending on the depth of the scratches.

## 7.4 Winterisation or long stops

### 7.4.1 Batteries

#### Battery charge

Battery life will depend on how it is used and maintained. Ensure that terminals are clean and greased to avoid sulphation. Also ensure that the terminals are properly tightened.



**Switch off the 12V supply as soon as the vehicle is unoccupied. This will prevent a deep discharge of the battery.**

#### How to recharge

To recharge the battery, connect the vehicle to the 230V mains supply for 24 hours, having previously checked that the F1 leisure battery protection fuse is installed.

#### Storage

- Turn off the main 12V switch on the control panel.
- Remove the 50A (F2) fuse to disconnect the engine battery.
- Switch off all appliances and lights.
- Remove the 50A (F1) fuse to disconnect the leisure battery after ensuring that it is fully charged (a discharged battery is sensitive to frost).
- Disconnect the battery terminals

Follow the user manual instructions for the electrical unit corresponding to other immobilisation measures.

If the vehicle remains immobilised for a long period in severe cold, remove the batteries and keep them at a moderate temperature.



**Batteries are dangerous items. While handling the battery, do not smoke and avoid sparks. Electrolyte is a corrosive product. In the event of contact, rinse thoroughly with fresh water.**

### Storing the leisure battery:

Acid-charged batteries, if left inactive, are subject to self-discharge losses. This chemical procedure is a progressive transformation of active plate materials into lead sulphate. Current technology used to produce our charged batteries minimises this phenomenon. However if the batteries are not used for a long period (more than six months), the level of charge reduces by more than 20% and plate sulphation can become irreversible, making charging difficult, with the risk of permanently compromising the performance and life of the batteries. The golden rule is thus not to leave the batteries flat for a long period. To avoid this situation, it is necessary to prevent the battery charge falling below 11.9V for a long period, as this may cause deep discharge, which invalidates the warranty. The main cause of battery deterioration is sulphation (80% of cases). With advanced sulphation, a white powder may be visible around the terminals.



**Batteries contain substances that damage the environment.**

**Used batteries must be disposed of in an environmentally-friendly manner and in accordance with the applicable regulations.**

### Self-discharge:

A battery discharges even if it is not used. When stored at a temperature of 20°C, the loss of capacity may reach 6% per month for poor-quality batteries. The lower the temperature, the lower the loss of charge. Before winterisation, carry out a full charge. Solar panels or wind turbines can also be used. A high ambient temperature accelerates the self-discharge process. It is therefore recommended to store the battery in a cool place (around 10 - 15°C).

## 7.4.2 Water

An unoccupied, unheated campervan must be protected against mould and bacteria while wintering. Follow the rules below to properly drain the entire fresh water system.

### Draining freshwater and wastewater systems

- Empty the wastewater tank by activating the drainage valve located under the sliding door.
- Empty the fresh water tank using the inspection plug under the back right of the vehicle.
- Leave mixer taps open in a central position and place shower nozzle on the bottom of the shower tray.





**Cleaning inside the tanks. The presence of stagnant water, even a small amount, encourages bad smells or algae.**

#### Draining the water heater

- To empty the water heater, turn the blue lever 180°. The press button releases and the water in the water heater can flow.
- Turn the pump on (on the control panel) to drain the water from all the pipes. Emptying is complete when no water flows from the water-heater valve.

The pump may carry on working for several minutes without deterioration, even when empty.

#### Purging the cassette toilet

It is important to thorough empty, clean and disinfect the cassette toilet before wintering the vehicle.

### **7.4.3 Turning off the refrigerator**

To turn the refrigerator off for a prolonged period, close the onboard stop valve as well as the valve on the bottles in the gas cupboard. Keep the door half open, then install the winter covers on the aeration vents.

### **7.4.4 Ventilation system**

When wintering, ensure the van is regularly aired with fresh air (garage and living area). Regularly open the garage and living area doors and windows. Inside, open all cupboards, drawers and wardrobes to allow good ventilation throughout the vehicle and avoid mould and condensation.

#### 7.4.5 Cushions, mattresses, curtains

Put the beds in their sleeping position to prevent condensation and mildew on mattresses. The pleated insulating curtains must be closed to prevent mould.

#### 7.4.6 Repairs

You will find the latest version of our European network on [www.pilote.fr](http://www.pilote.fr). Never carry out or allow modifications to electrical or LPG systems and appliances, unless performed by approved fitters.



**For safety reasons, the spare parts must comply with the manufacturer's specification and be installed by them or their authorised representative.**

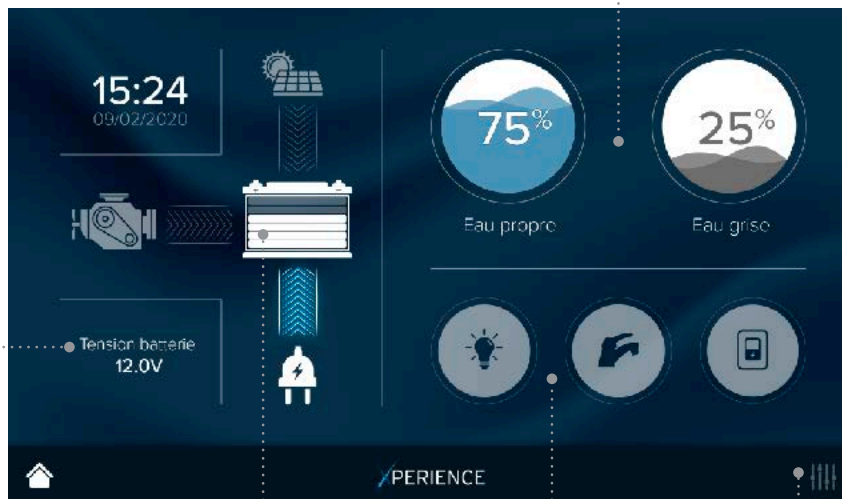
## 8. CONTROL PANEL

- Automatic standby after 60 seconds
- Auto off after 5 minutes
- One press to wake up

### 8.1 Home page

Main switch to "ON"

Fresh and grey water tank levels



Leisure battery voltage

Different power sources (solar panel, engine and 230V). When operational, the selected power source is displayed in white and the battery connection in blue.

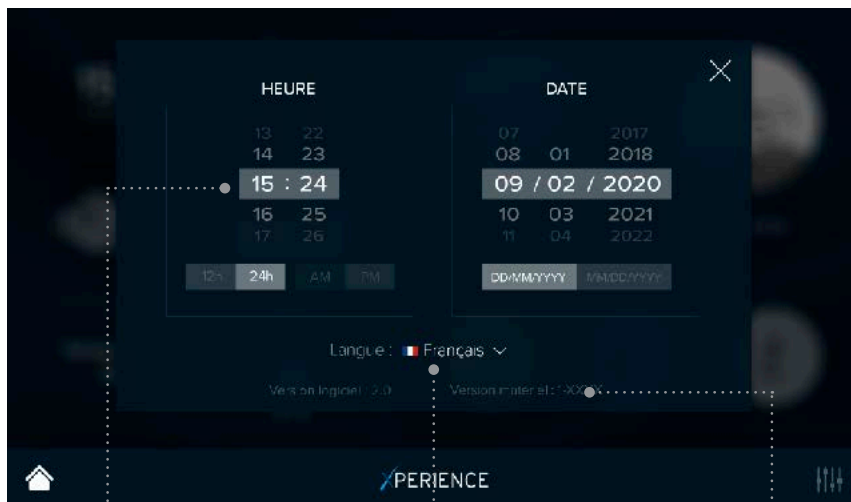
Button to turn on the light, water pump and 12V equipment

Button to access the settings page

## 8.2 Settings page

99

ENGLISH



Time, date and format settings

Language selection

Software and equipment version



***PiL******TE***